

*HIGH-EFFICIENCY  
MULTI-ZONE DUCTLESS SYSTEM  
UP TO 19.9 SEER  
UP TO 12.7 EER  
UP TO 12.5 HSPF*



### **Product Features**

- Inverter Compressor
- 208/230/1 Power Supply
- Cooling Operating Range:  
0° - 115° F (w/ Wind Baffle)
- Heating Operating Range:  
-4° - 75° F (w/ Drain Pan Heater)
- Precharged for up to 131  
ft of Liquid Line
- Outdoor Sound Pressures  
as Low as 50 dB(A)
- Outdoor Unit Quiet Operation
- Auto Changeover
- Auto Fan Speed Control
- Self Diagnostics with Digital Display
- Auto Restart after Power Failure
- Anti-Corrosion Treatment  
on Heat Exchanger



\* Complete warranty details available from your local dealer or at [www.daikincomfort.com](http://www.daikincomfort.com). To receive the 12-Year Parts Limited Warranty, online registration must be completed within 60 days of installation. Online registration and some of the additional requirements are not required in California or Quebec.

OUTDOOR UNITS					
MODEL NAME		2MXS18NMVJU	3MXS24NMVJU	4MXS36NMVJU	RMXS48LVJU
Cooling Capacity (Rated - Max)	BTU/h	18,000-21,000	24,000-30,000	36,000-38,000	48,000
Heating Capacity (Rated - Max)	BTU/h	18,900-25,000	24,000-36,000	36,000-43,000	54,000
Max Connected Capacity	BTU/h	24,000	39,000	48,000	62,400
Min-Max No. of Indoor Units	Connections	2	2-3	2-4	2 – 8
Sound Pressure (Cooling/Heating)	dB(A)	50/51	52/54	52/54	57/58
Operating Range - Cooling	°F DB	14 - 115	14 - 115	14 - 115	14 - 115
Operating Range - Heating		5 – 75	5 – 75	5 – 75	5 – 75
Operating Range - Heating with Drain Pan Heater	°F DB	-4 – 75	-4 – 75	-4 – 75	-4 – 75
PIPING DIMENSIONS					
Max. Length (for all rooms)	ft.	164	230	230	433
Max. Length (for one room)	ft.	82	82	82	82
Max. Piping Height	ft.	49.2	49.2	49.2	98.4
ELECTRICAL DATA					
Power Supply	V/Ph/Hz	208-230/1/60	208-230/1/60	208-230/1/60	208-230/1/60
Minimum Circuit Amps	A	15.8	18.7	19.8	27
Max. Overcurrent Protection	A	20	20	20	30
Dimensions (H x W x D)	in.	29 x 34 $\frac{1}{4}$ x 12 $\frac{5}{8}$	29 x 34 $\frac{1}{4}$ x 12 $\frac{5}{8}$	29 x 34 $\frac{1}{4}$ x 12 $\frac{5}{8}$	52 $\frac{15}{16}$ x 35 $\frac{7}{16}$ x 12 $\frac{5}{8}$
Net Weight	lbs.	128	132	137	129
SEER/ EER	Non-Ducted	18.9/ 12.5	17.9/ 12.7	17.7/ 9.2	18.8/ 10.3
	Mixed	16.5/ 11.0	15.9/ 11.2	15.9/ 8.5	16.5/ 9.8
	Ducted	14.0/ 9.5	14.0/ 9.7	14.0/ 7.9	14.1/ 9.3
HSPF/ COP	Non-Ducted	10.7/ 4.1	12.5/ 4.6	12.2/ 4.5	11.3/ 3.0
	Mixed	9.5/ 4.1	10.4/ 3.2	10.2/ 3.4	16.5/ 2.9
	Ducted	8.2/ 4.1	8.2/ 3.9	8.2/ 3.9	14.1/ 2.7

INDOOR WALL-MOUNTED UNITS							
Model Name		CTXS07LVJU	FTXS09LVJU	FTXS12LVJU	FTXS15LVJU	FTXS18LVJU	FTXS24LVJU
Outdoor Unit Compatibility		2MXS18NMVJU 3MXS24NMVJU 4MXS36NMVJU RMXS48LVJU	2MXS18NMVJU 3MXS24NMVJU 4MXS36NMVJU RMXS48LVJU	2MXS18NMVJU 3MXS24NMVJU 4MXS36NMVJU RMXS48LVJU	2MXS18NMVJU 3MXS24NMVJU 4MXS36NMVJU RMXS48LVJU	3MXS24NMVJU 4MXS36NMVJU RMXS48LVJU	4MXS36NMVJU RMXS48LVJU
Airflow-Wet (H/M/L/SL)	CFM	332/261/ 194/145 350/290/ 233/219	381/279/ 194/145 420/321/ 233/219	403/307/ 205/155 438/335/ 240/212	568/477/ 385/360 593/505/ 417/371	583/484/ 385/360 625/526/ 431/399	643/494/ 350/328 699/572/ 445/403
Airflow-Dry (H/M/L/SL)	CFM						
Sound Pressure - Cooling (H/M/L/SL)	dB(A)	38/32/25/22	41/33/25/22	45/37/29/23	45/40/35/32	46/41/36/33	51/44/37/34
Sound Pressure - Heating (H/M/L/SL)	dB(A)	38/33/28/25	42/35/28/25	45/39/29/26	43/38/33/30	45/40/35/32	48/42/37/34
Piping Connections	Liquid (O.D.)	in.	∅ 1/4	∅ 1/4	∅ 1/4	∅ 1/4	∅ 1/4
	Gas (O.D.)	in.	∅ 3/8	∅ 3/8	∅ 3/8	∅ 1/2	∅ 5/8
	Condensate Drain	in.	∅ 5/8	∅ 5/8	∅ 5/8	∅ 5/8	∅ 5/8
Dimensions (H x W x D)	in.	11 $\frac{1}{2}$ x 31 $\frac{1}{2}$ x 8 $\frac{7}{16}$			13 $\frac{3}{8}$ x 41 $\frac{1}{4}$ x 9 $\frac{3}{4}$		
Net Weight	lbs.	20	20	22	31	31	31

INDOOR SLIM-DUCT UNITS							
Model Name			FDXS09LVJU	FDXS12LVJU	CDXS15LVJU	CDXS18LVJU	CDXS24LVJU
Outdoor Unit Compatibility			2MXS18NMVJU 3MXS24NMVJU 4MXS36NMVJU RMSX48LVJU	2MXS18NMVJU 3MXS24NMVJU 4MXS36NMVJU RMSX48LVJU	2MXS18NMVJU 3MXS24NMVJU 4MXS36NMVJU RMSX48LVJU	3MXS24NMVJU 4MXS36NMVJU RMSX48LVJU	4MXS36NMVJU RMSX48LVJU
External Static Pressure		"W.G.	0.12	0.12	0.16	0.16	0.16
Airflow-Wet (H/M/L/SL)		CFM	305/280/260/235	305/280/260/235	424/388/353/297	424/388/353/297	424/388/353/297
Airflow-Dry (H/M/L/SL)		CFM	305/280/260/235	305/280/260/235	424/388/353/297	424/388/353/297	424/388/353/297
Sound Pressure - Cooling (H/M/L/SL)		dB(A)	35/33/31/-	35/33/31/-	37/35/33/31	37/35/33/31	37/35/33/31
Sound Pressure - Heating (H/M/L/SL)		dB(A)	35/33/31/-	35/33/31/-	37/35/33/31	37/35/33/31	37/35/33/31
Piping Connections	Liquid (O.D.)	in.	∅ 1/4	∅ 1/4	∅ 1/4	∅ 1/4	∅ 1/4
	Gas (O.D.)	in.	∅ 3/8	∅ 3/8	∅ 1/2	∅ 1/2	∅ 1/2
	Condensate Drain	in.	∅ 25/32	∅ 25/32	∅ 25/32	∅ 25/32	∅ 25/32
Dimensions (H x W x D)		in.	7 $\frac{7}{8}$ x 27 $\frac{9}{16}$ x 24 $\frac{7}{16}$			7 $\frac{7}{8}$ x 35 $\frac{7}{16}$ x 24 $\frac{7}{16}$	

INDOOR 2'x2' CEILING CASSETTE UNITS						
Model Name			FFQ09LVJU	FFQ12LVJU	FFQ15LVJU	FFQ18LVJU
Outdoor Unit Compatibility			2MXS18NMVJU 3MXS24NMVJU 4MXS36NMVJU RMSX48LVJU	2MXS18NMVJU 3MXS24NMVJU 4MXS36NMVJU RMSX48LVJU	2MXS18NMVJU 3MXS24NMVJU 4MXS36NMVJU RMSX48LVJU	3MXS24NMVJU 4MXS36NMVJU RMSX48LVJU
Cooling Capacity (Nominal)		BTU/h	9,500	12,000	15,000	18,000
Heating Capacity (Nominal)		BTU/h	11,100	14,000	17,500	21,000
Power Supply		V/Ph/Hz	208-230/1/60	208-230/1/60	208-230/1/60	208-230/1/60
Airflow Rate (H/L)		CFM	318/230	353/230	424/283	530/353
Sound Pressure - Cooling (H/L)		dB(A)	36/29	38/29	42/31	46/37
Sound Pressure - Heating (H/L)		dB(A)	36/29	38/29	42/31	46/37
Piping Connections	Liquid (O.D.)	in.	∅ 1/4	∅ 1/4	∅ 1/4	∅ 1/4
	Gas (O.D.)	in.	∅ 3/8	∅ 3/8	∅ 1/2	∅ 1/2
	Condensate Drain (O.D.)	in.	∅ 1-1/32	∅ 1-1/32	∅ 1-1/32	∅ 1-1/32
Dimensions – Unit (H x W x D)		in.	11 $\frac{1}{4}$ x 22 $\frac{3}{4}$ x 22 $\frac{3}{4}$			11 $\frac{1}{4}$ x 22 $\frac{3}{4}$ x 22 $\frac{3}{4}$
Dimensions – Deco Panel (H x W x D)		in.	2 $\frac{1}{4}$ x 27 $\frac{3}{4}$ x 27 $\frac{3}{4}$			2 $\frac{1}{4}$ x 27 $\frac{3}{4}$ x 27 $\frac{3}{4}$
Net Weight		lbs.	38.5	38.5	38.5	38.5

INDOOR FLOOR-STANDING UNITS					
Model Name			FVXS09NVJU	FVXS12NVJU	FVXS18NVJU
Outdoor Unit Compatibility			2MXS18NMVJU 3MXS24NMVJU 4MXS36NMVJU RMSX48LVJU	2MXS18NMVJU 3MXS24NMVJU 4MXS36NMVJU RMSX48LVJU	3MXS24NMVJU 4MXS36NMVJU RMSX48LVJU
Airflow Rate Cooling		CFM	290	300	378
Airflow Rate Heating		CFM	311	332	417
Power Supply		V/Ph/Hz	208-230/1/60	208-230/1/60	208-230/1/60
Sound Pressure - Cooling		dB(A)	38/32/26/23	39/33/27/24	44/40/36/32
Sound Pressure - Heating		dB(A)	38/32/26/23	39/33/27/24	44/40/36/32
Piping Connections	Liquid (O.D.)	in.	∅ 1/4	∅ 1/4	∅ 1/4
	Gas (O.D.)	in.	∅ 3/8	∅ 3/8	∅ 1/2
Dimensions – Unit (H x W x D)		in.	23 $\frac{3}{8}$ x 27 $\frac{1}{2}$ x 8 $\frac{1}{2}$		
Net Weight		lbs.	31	31	31

PIPING REQUIREMENTS			ALLOWABLE LENGTH DETAILS
Maximum allowable length	Between outdoor and BP units	Total piping length	Piping length between outdoor and BP units $\leq 180$ ft (55 m) - [Example] a+b+c+d+e $\leq 180$ ft
	Between BP and indoor units	Total piping length	Piping length between BP and indoor units: 262 ft (80 m) - [Example] f+g+h+i+j+k+l $\leq 262$ ft
	Between BP and indoor unit	1 room length	Piping length between BP and indoor unit $\leq 49$ ft (15 m) - [Example] f, g, h, i, j, k, l $\leq 49$ ft
Allowable height	Between outdoor and indoor units	Difference in height	Difference in height between outdoor & indoor units (H1) $\leq 98$ ft (30 m)
	Between outdoor and BP units		Difference in height between outdoor and BP units (H2) $\leq 98$ ft (30 m)
	Between BP and BP units		Difference in height between BP and BP units (H3) $\leq 49$ ft (15 m)
	Between indoor and indoor units		Difference in height between indoor and indoor units (H4) $\leq 49$ ft (15 m)
Minimum allowable length		Piping length	Pipe length between outdoor unit and first refrigerant branch kit (refnet joint) $\geq 16.4$ ft [Example] a $\geq 16.4$ ft
Allowable length after the REFNET branch			Piping length from first refrigerant branch kit (REFNET joint) to indoor unit $\leq 131$ ft (40 m) [Example] unit 6: b+c+k $\leq 131$ ft [Example] unit 5: b+e+j $\leq 131$ ft [Example] unit 3: d+h $\leq 131$ ft
Additional refrigerant calculation			Total length (ft / m) of liquid piping size at $\varnothing 3/8$ inch ( $\varnothing 9.5$ mm) x + Total length (ft / m) of liquid piping size at $\varnothing 1/4$ inch ( $\varnothing 6.4$ mm)

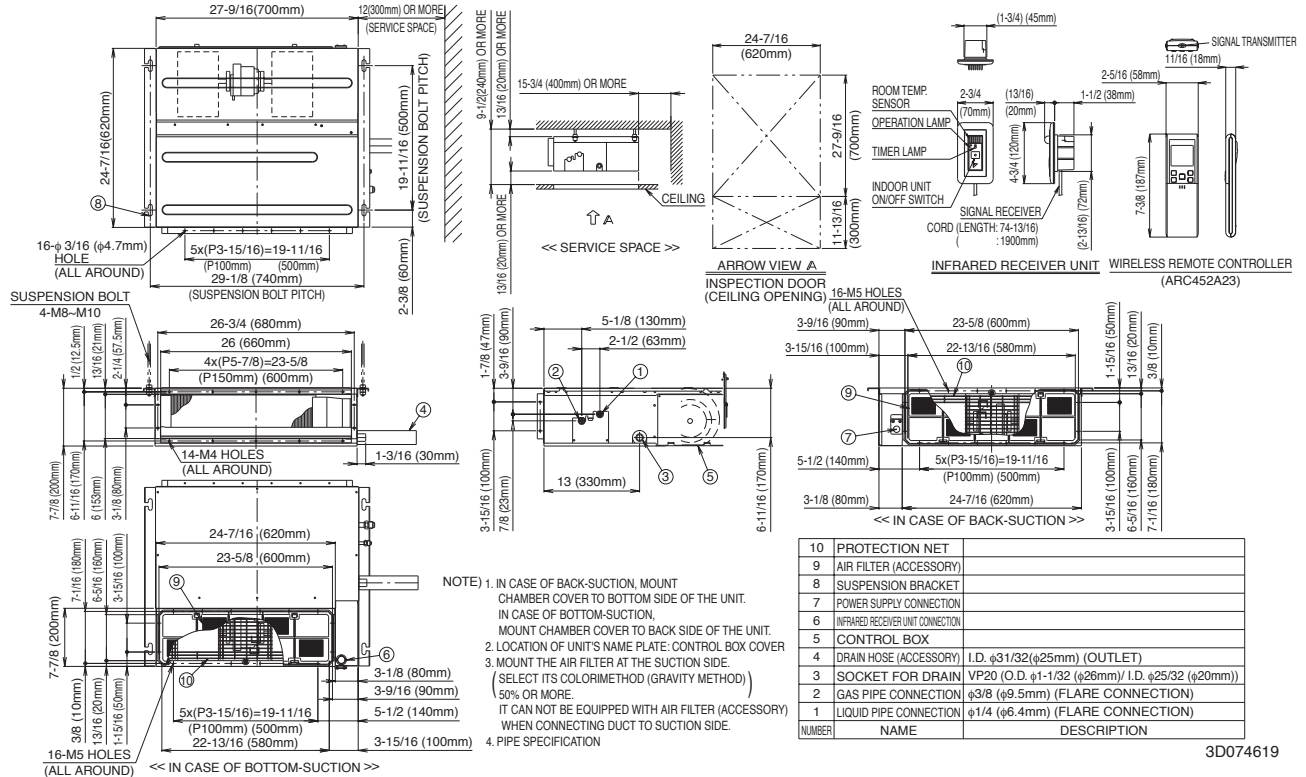
BP UNITS				
MODEL NAME				BPMKS048A2U
Power Supply			V/Ph/Hz	208-230/1/60
Power Consumption			W	10
Running Current			A	0.05
Sound Pressure - (Cooling/Heating)			dB(A)	32/32
Number of Connectable Indoor Units				1 to 2
Minimum Connection Combination				7,000
Maximum Connection Combination				48,000
Piping Connections (O.D.)	Liquid	Outdoor Unit Side	in.	$\varnothing 1/4 \times 2$
		Indoor Unit Side	in.	$\varnothing 1/4 \times 2$
	Gas	Outdoor Unit Side	in.	$\varnothing 5/8 \times 2$
		Indoor Unit Side	in.	$\varnothing 5/8 \times 2$
Dimensions (H x W x D)			in.	$7\frac{1}{16} \times 11\frac{9}{16} \times 13\frac{3}{4}$
Net Weight			lbs.	18

**NOMINAL CONDITIONS:**

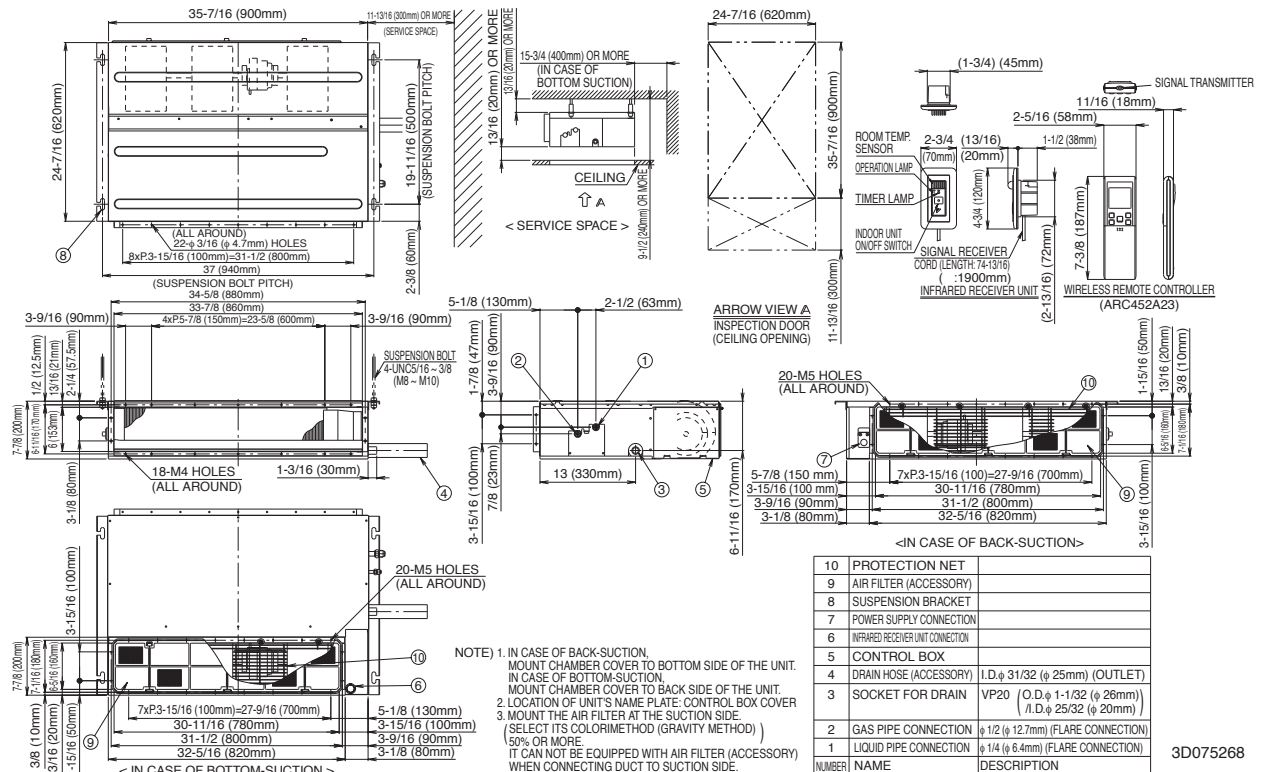
Cooling Mode:	Heating Mode:
Indoor: 80 °F DB / 67 °F WB	Indoor: 70 °F DB
Outdoor: 95 °F DB	Outdoor: 47 °F DB / 43 °F WB
Level Difference: 0 ft.	Level Difference: 0 ft.

**NOTE:**  
Specifications are subject to change without notice

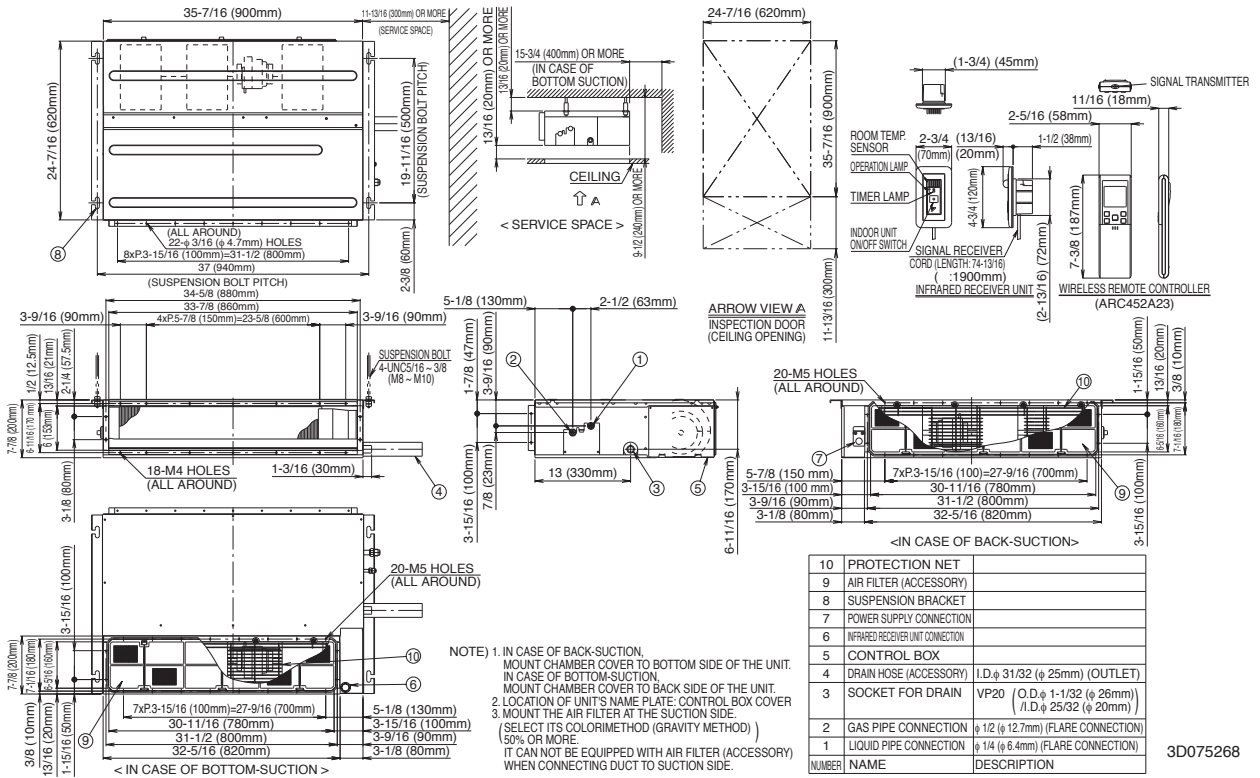
FDXS09/12LVJU



CDXS15/18LVJU

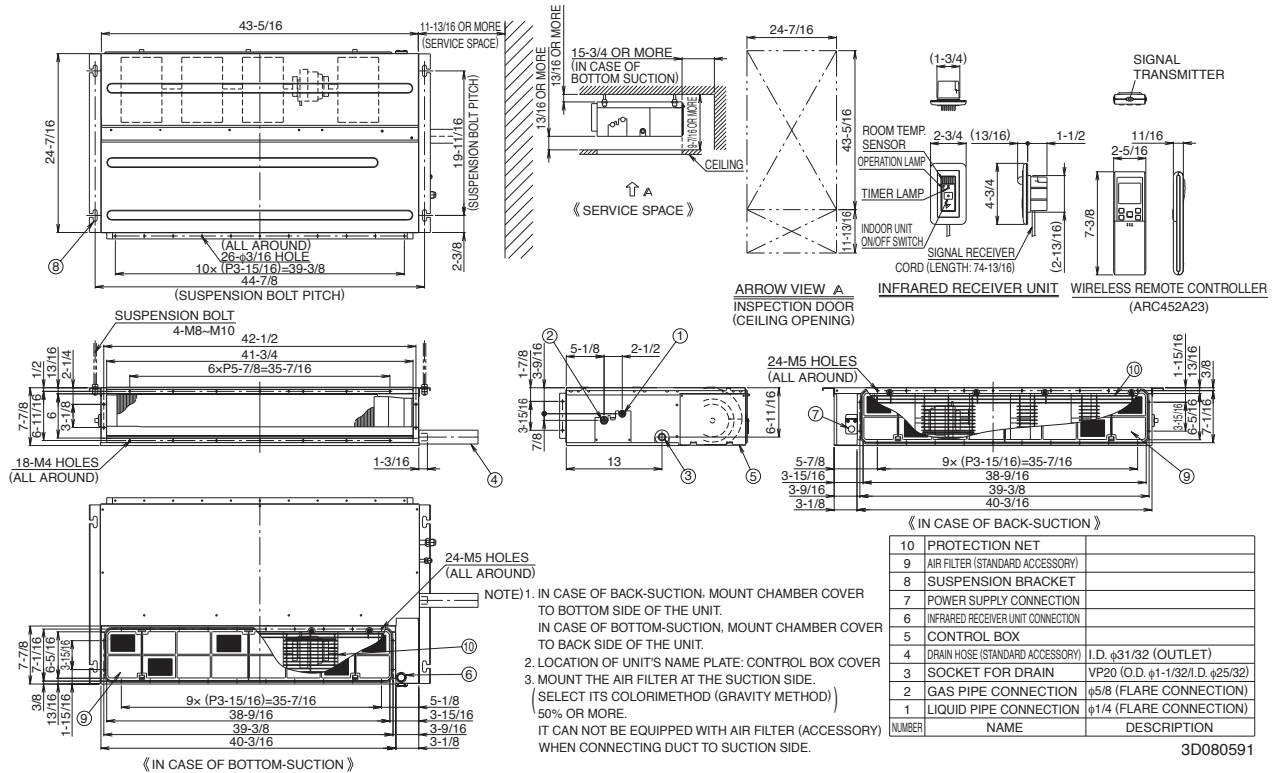


CDXS15/18LVJU



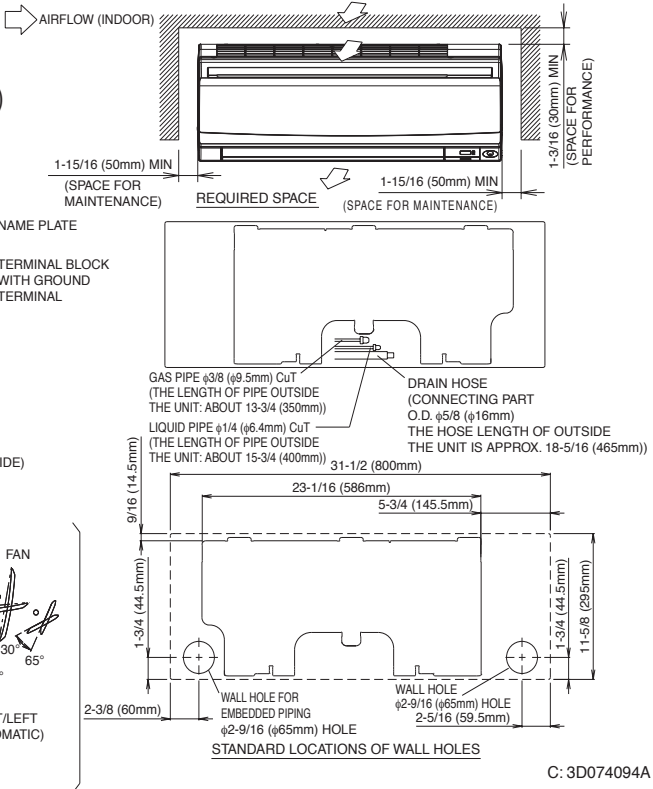
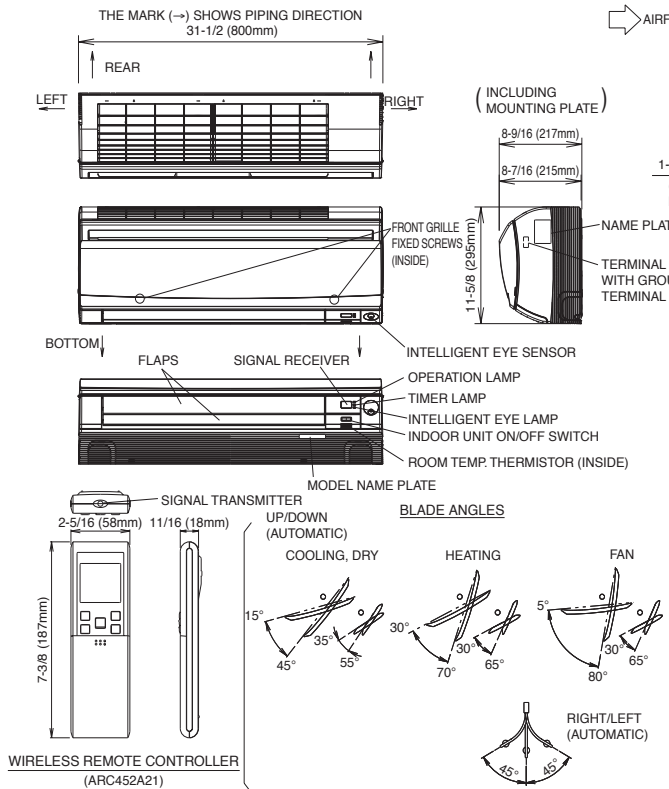
3D075268

CDXS24LVJU

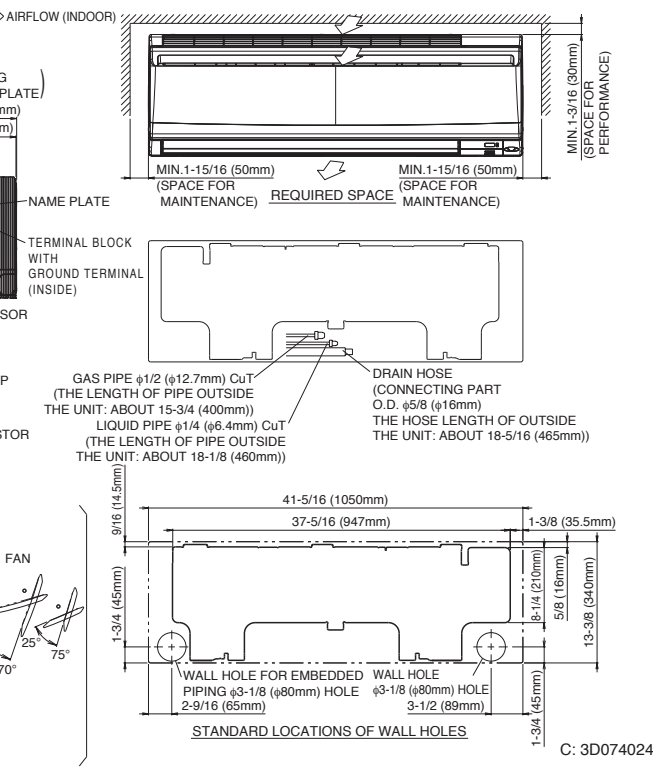
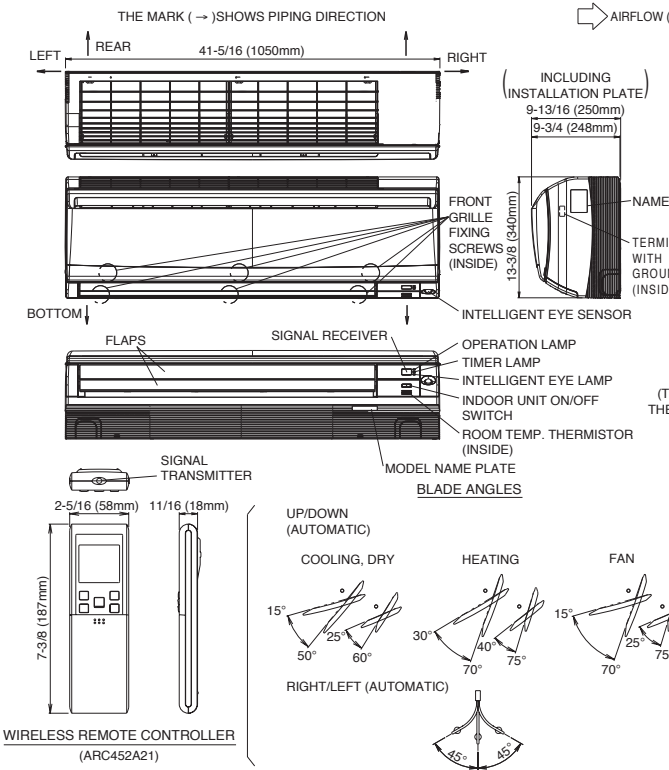


3D080591

CTXS07LVJU, FTXS09/12LVJU

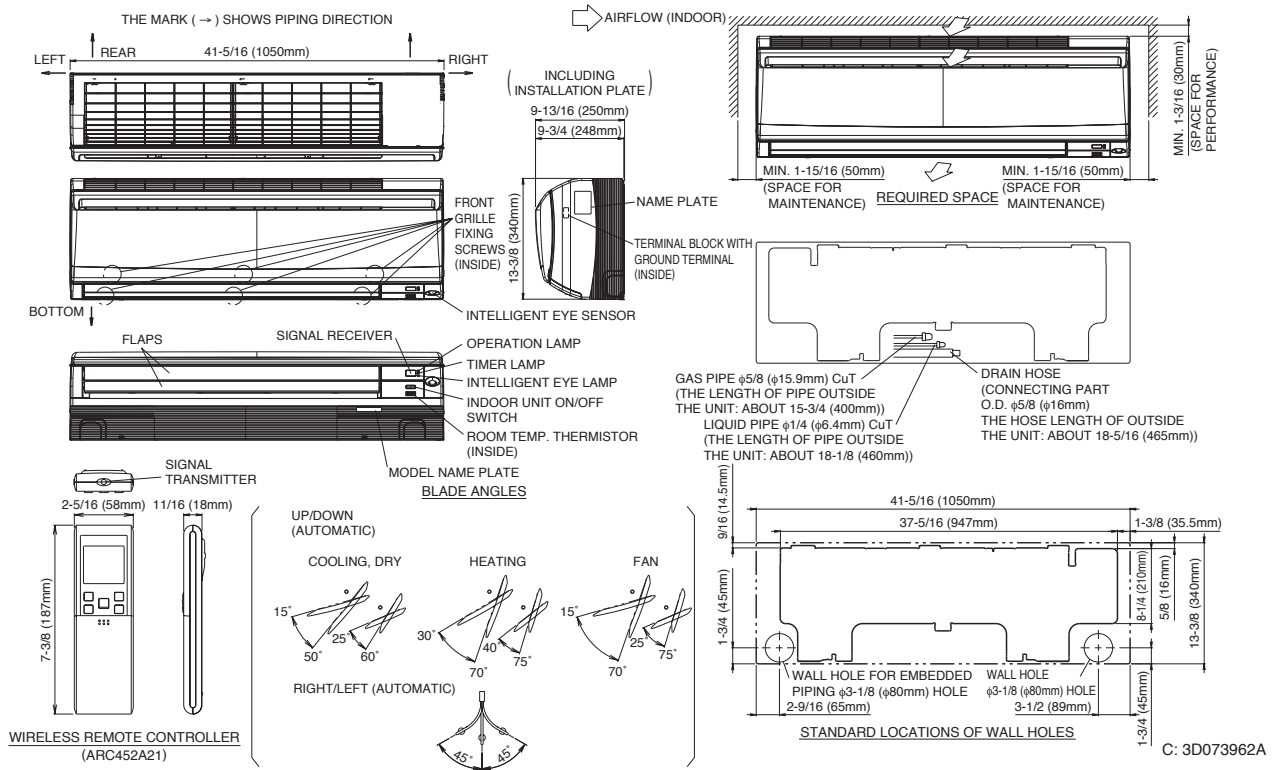


FTXS15/18LVJU

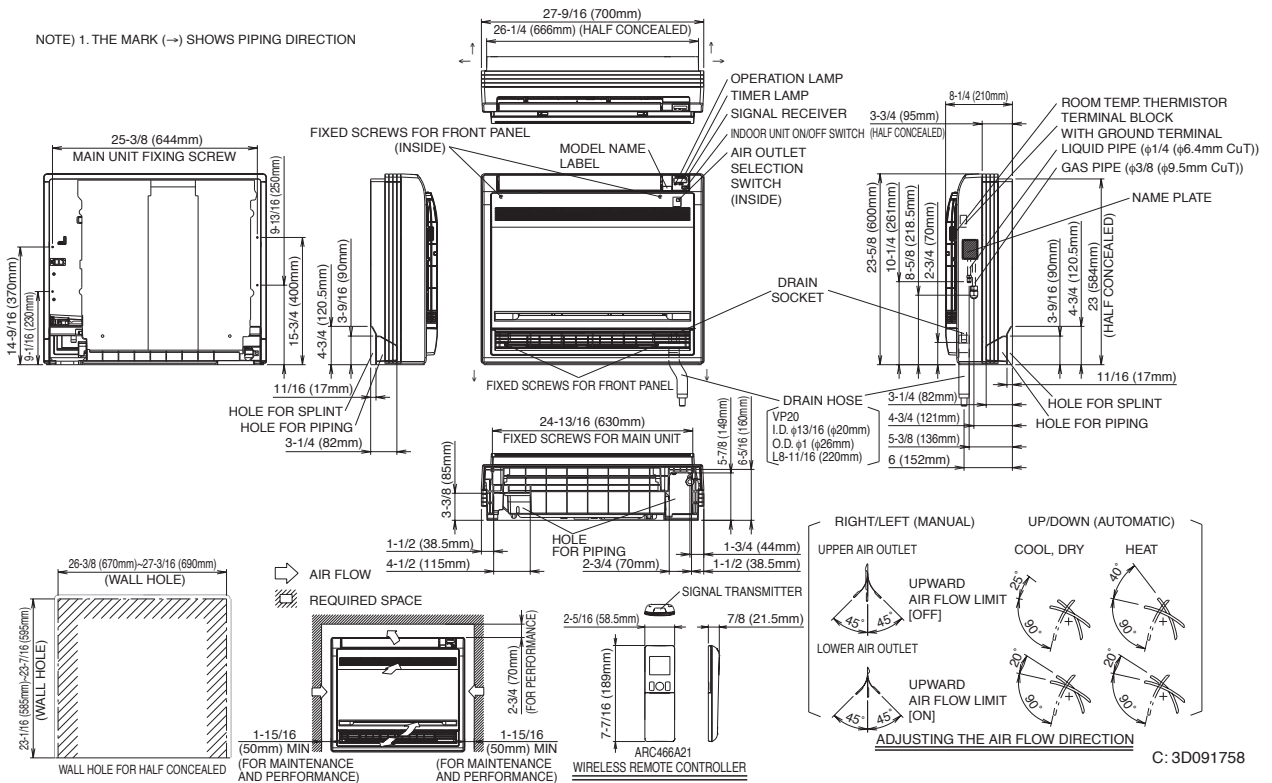




**FTXS24LVJU**



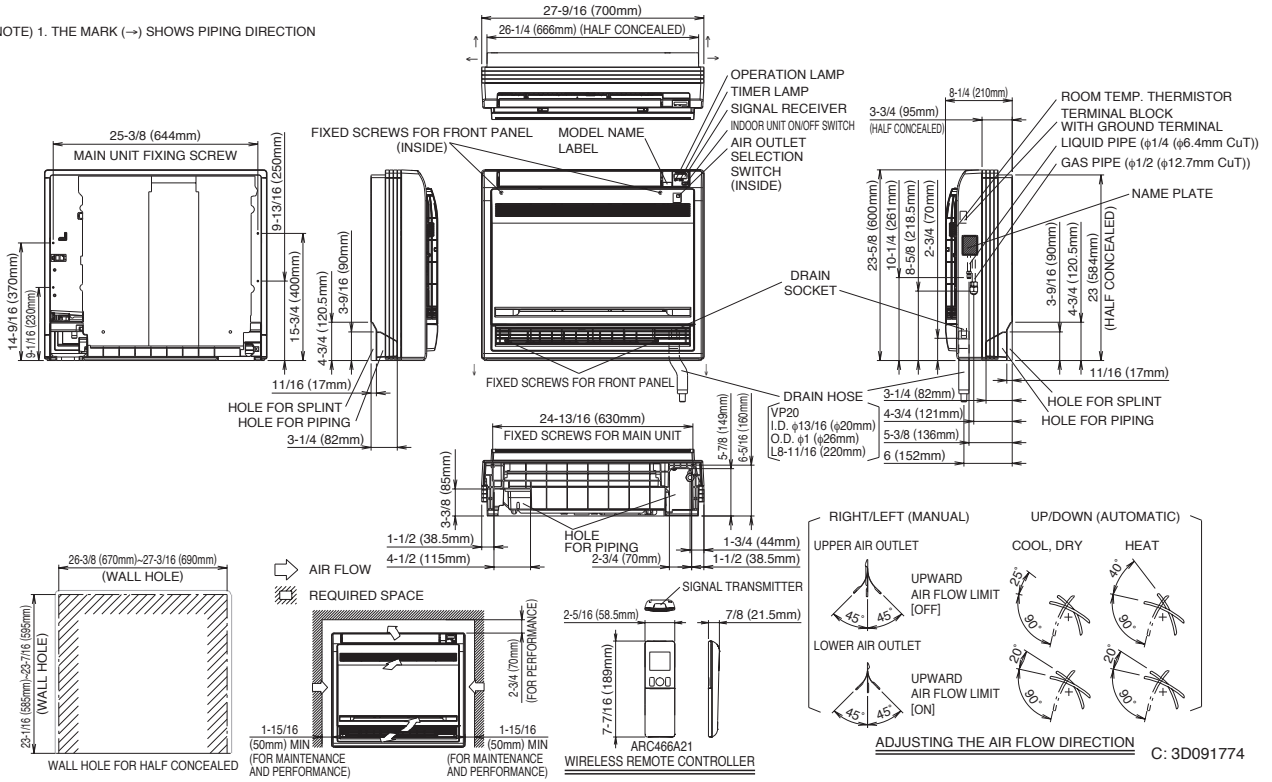
**FVXS09/12NVJU**





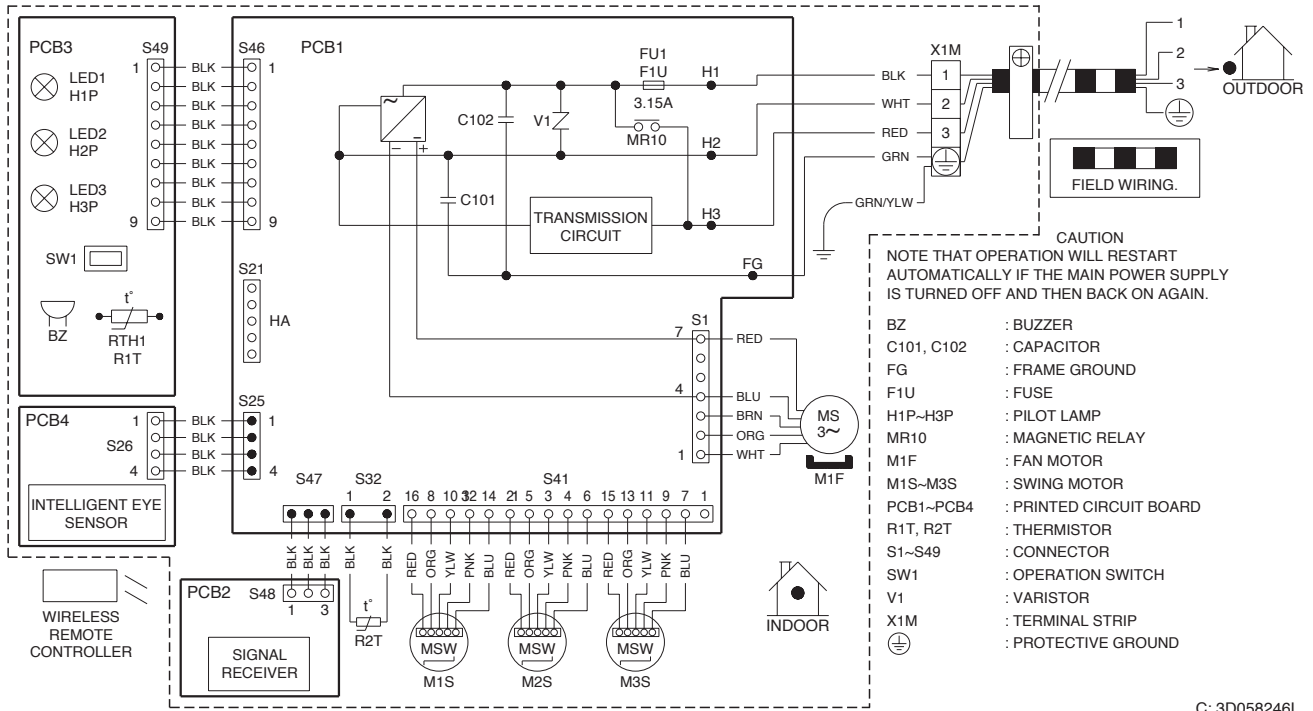
FVXS18NVJU

NOTE) 1. THE MARK (→) SHOWS PIPING DIRECTION

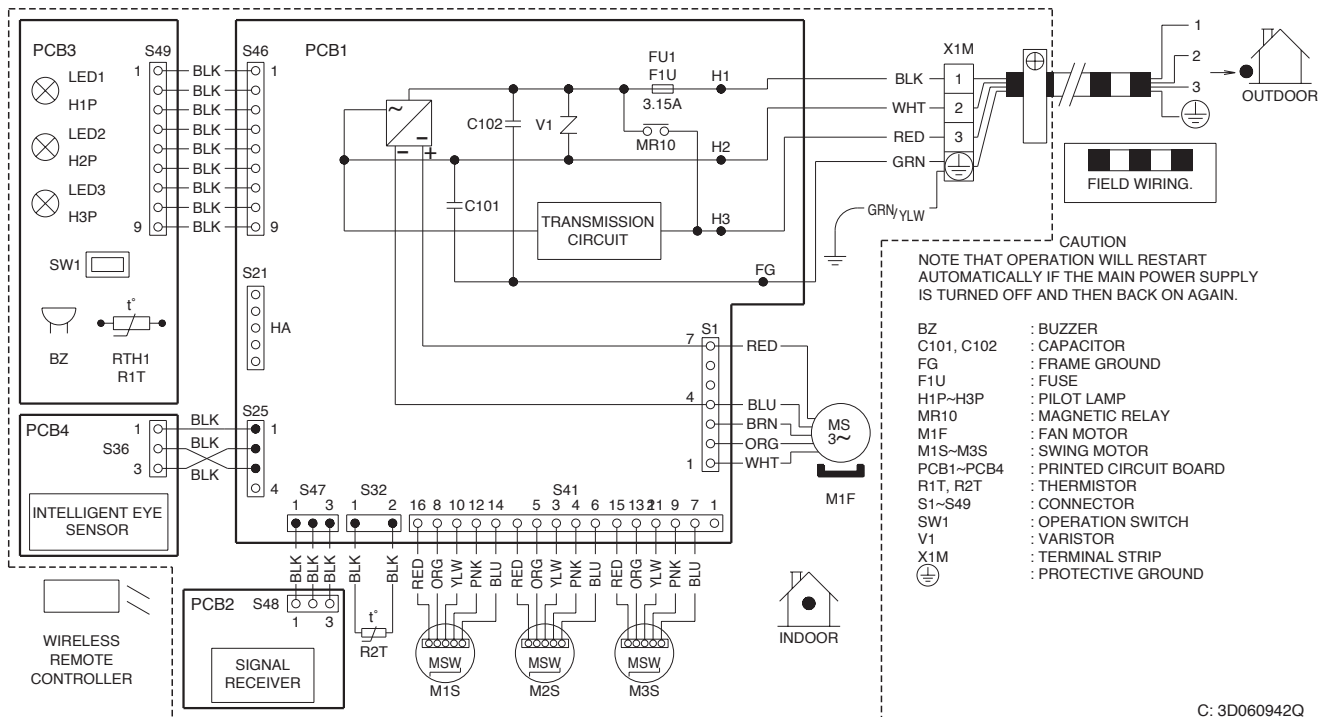


C: 3D091774

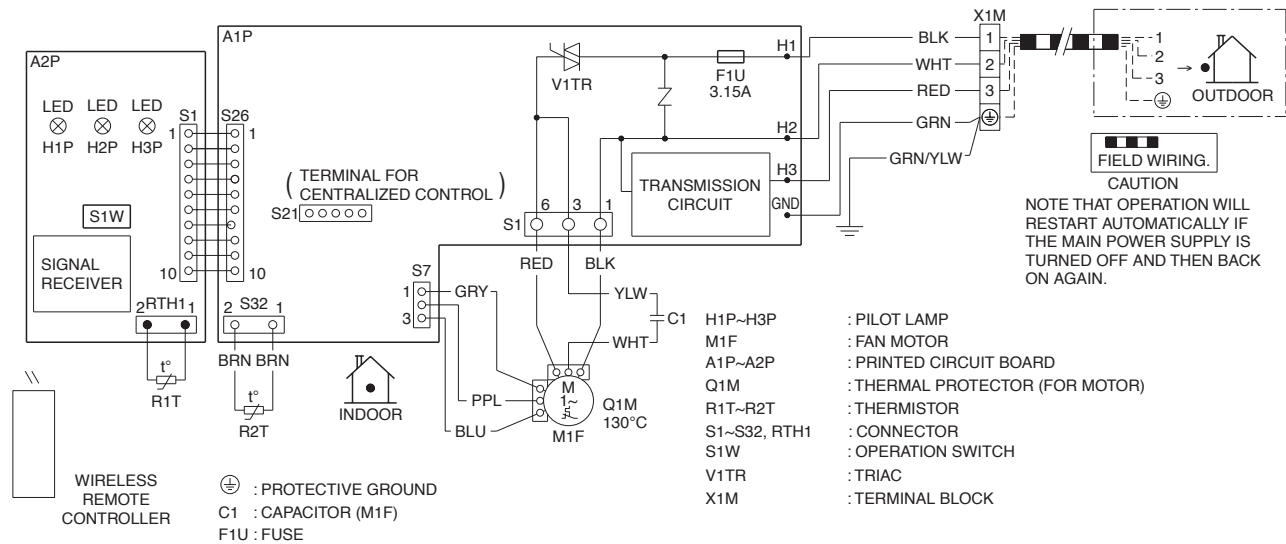
CTXS07LVJU, FTXS09/12LVJU



FTXS15/18/24LVJU

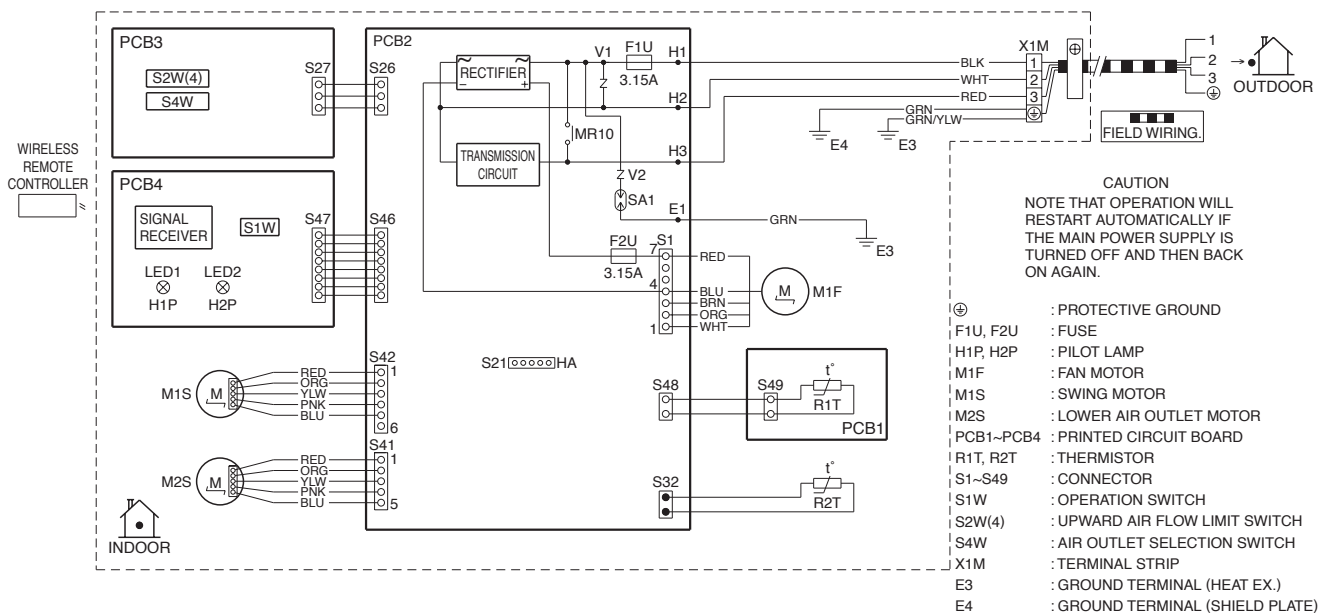


FDXS09/12LVJU, CDXS15/18/24LVJU



C: 3D073998B

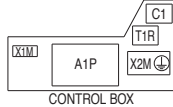
FVXS09/12/18NVJU



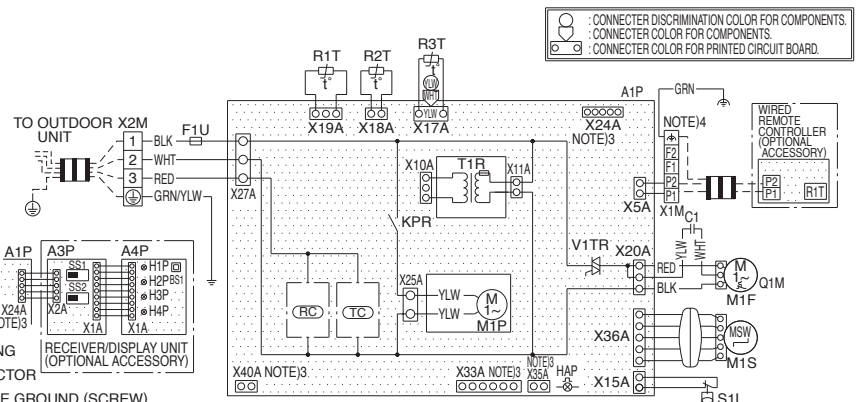
C: 3D090604

FFQ09/12/15/18LVJU

A1P	PRINTED CIRCUIT BOARD	H1P	PILOT LAMP (ON-RED)
C1	CAPACITOR (M1F)	H2P	PILOT LAMP (TIMER-GREEN)
F1U	FUSE (F. 5A, 250V)	H3P	PILOT LAMP (FILTER SIGN-RED)
HAP	PILOT LAMP (SERVICE MONITOR GREEN)	H4P	PILOT LAMP (DEFROST-ORANGE)
KPR	MAGNETIC RELAY (M1P)	SS1	SELECTOR SWITCH (MAIN/SUB)
M1F	FAN MOTOR	SS2	SELECTOR SWITCH (WIRELESS ADDRESS SET)
M1P	DRAIN PUMP MOTOR	X24A	CONNECTOR FOR OPTIONAL PARTS
M1S	SWING LOUVER MOTOR	X24A	CONNECTOR (WIRELESS REMOTE CONTROLLER)
Q1M	THERMAL PROTECTOR FOR MOTOR	X33A	CONNECTOR (ADAPTOR FOR WIRING)
R1T	THERMISTOR (AIR)	X35A	CONNECTOR (GROUP CONTROL ADAPTOR)
R2T	THERMISTOR (COIL-1)	X40A	CONNECTOR (GROUP CONTROL (ON/OFF INPUT FROM OUTSIDE))
R3T	THERMISTOR (COIL-2)		
S1L	FLOAT SWITCH		
T1R	TRIAC		
X1M	TERMINAL BLOCK		
X2M	TERMINAL BLOCK		
RC	SIGNAL RECEIVER CIRCUIT		
TC	SIGNAL TRANSMISSION CIRCUIT		
WRC	WIRED REMOTE CONTROLLER (RECEIVER/DISPLAY UNIT)		
WRCT	WIRED REMOTE CONTROLLER (RECEIVER/DISPLAY UNIT)		
A3P	PRINTED CIRCUIT BOARD		
A4P	PRINTED CIRCUIT BOARD		
BS1	PUSH BUTTON SWITCH (ON/OFF)		



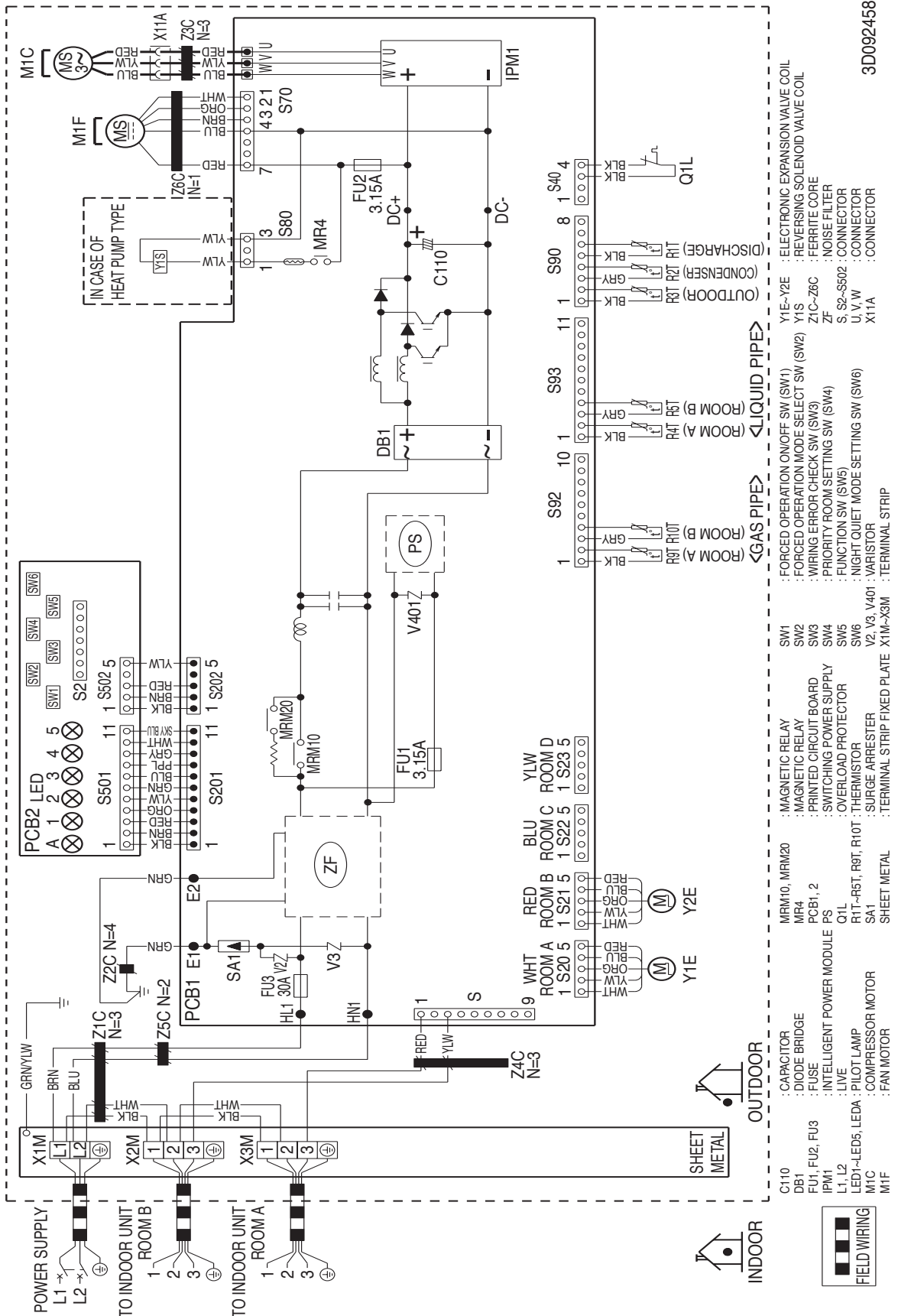
- NOTES
1. □ □ □ : TERMINAL  
 = = = : FIELD WIRING  
 ⊕ : CONNECTOR  
 ⊕ : PROTECTIVE GROUND (SCREW)  
 ⚡ : NOISELESS GROUND
  2. IN CASE USING CENTRAL REMOTE CONTROLLER, CONNECT IT TO THE UNIT IN ACCORDANCE WITH THE ATTACHED INSTALLATION MANUAL.
  3. X24A, X33A, X35A AND X40A ARE CONNECTED WHEN THE OPTIONAL ACCESSORIES ARE USED.
  4. GROUND THE SHIELD OF THE REMOTE CONTROLLER CORD TO THE INDOOR UNIT (IN CASE OF USING SHIELD WIRE).
  5. SYMBOLS SHOW AS FOLLOWS: RED: RED BLK: BLACK WHT: WHITE YLW: YELLOW GRN: GREEN BLU: BLUE



○ : CONNECTER DISCRIMINATION COLOR FOR COMPONENTS.  
 □ : CONNECTER COLOR FOR COMPONENTS.  
 □ : CONNECTER COLOR FOR PRINTED CIRCUIT BOARD.

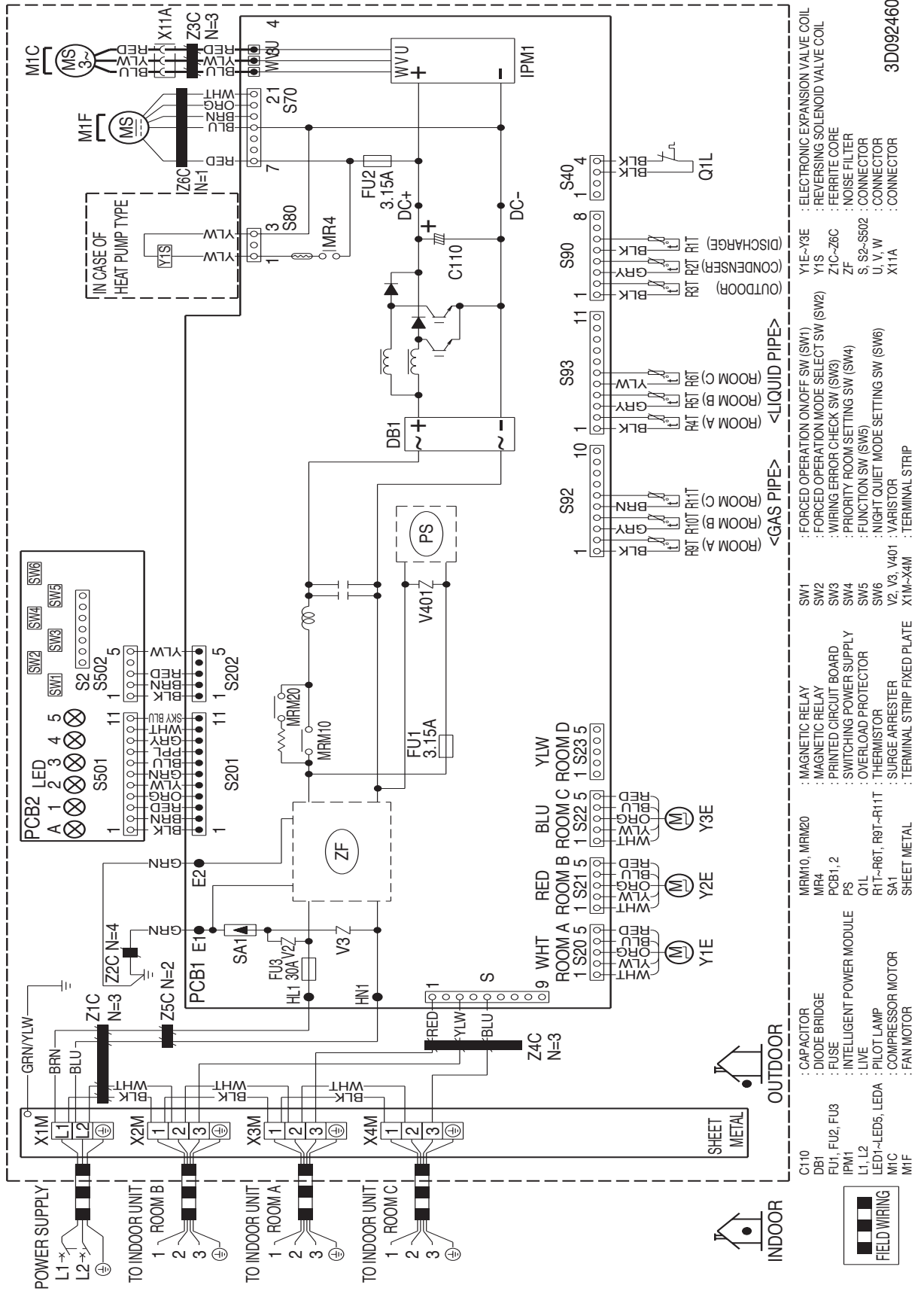
C: 3D080351A

**2MXS18NMVJU**



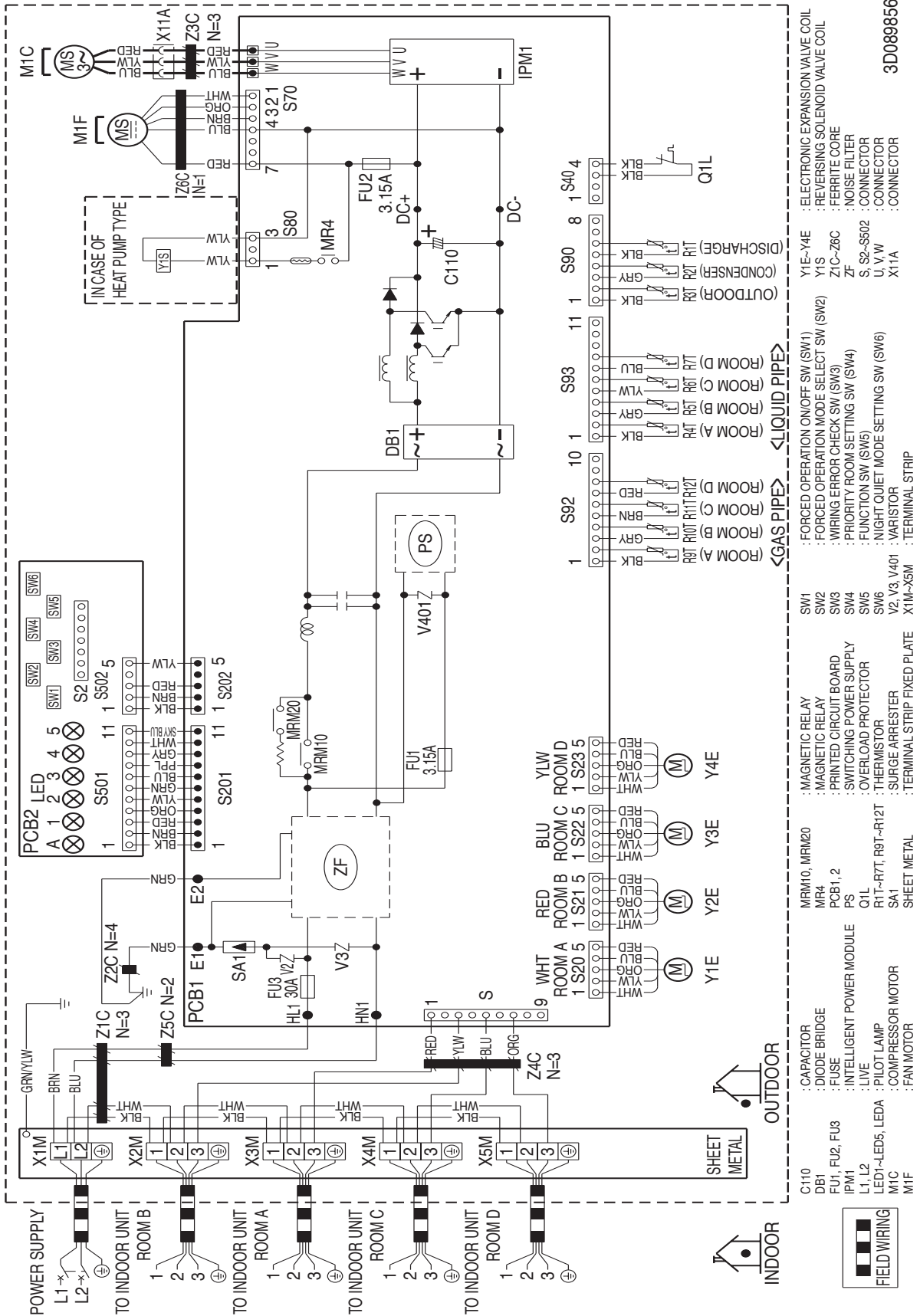
3D092458

**3MXS24NMVJU**



3D092460

4MXS36NMVJU



3D089856



ACCESSORIES

INDOOR UNIT	
BRC1E72	Wired Navigation Remote Controller (For FFQ Ceiling Cassette Only)
BRC944B2-A08	Wired Controller (For Wall Mount and Slim Duct Units Only) with a 26' cord
BYFQ60B3W1	Decoration Panel for FFQ Ceiling Cassette, ships separately at no charge
DACA-CP3-1	Condensate Pump with Integral Float Switch
DACA-TS1-1	Daikin ENVi Intelligent Thermostat Kit (For Wall Mount and Slim Duct Units Only)
BP UNIT	
KHRP26A22T	REFNET Joint
OUTDOOR UNIT	
DACA-WB-3	Powder Coated Wall Mounted Bracket